

# Product data sheet

## Characteristics

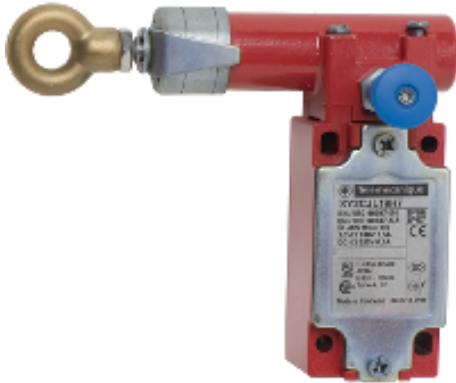
# XY2CJL19H7

Latching emergency stop rope pull switch,  
Telemecanique rope pull switches XY2C, e  
XY2CJ, left side, 2NC+1 NO, 1/2" NPT



Product availability: Non-Stock - Not normally stocked in distribution facility

Price\*: 110.00 USD



### Main

Range of product	Telemecanique Emergency stop rope pull switches XY2C
Product or Component Type	Latching emergency stop rope pull switch
Device short name	XY2C

### Complementary

Number of cables	1
Body Material	Zamak
Cover Material	Galvanised steel
Reset	By pull button
Contacts type and composition	2 NC + 1 NO
Contact operation	Slow-break
Trigger cable anchor point	LH side
Tightening torque	7.08...10.62 Lbf.In (0.8...1.2 N.m)
Marking	CE
Mechanical durability	100000 Cycles
Distance between cable supports	16.40 Ft (5 m)
[the] conventional enclosed thermal current	6 A
Terminals description ISO n°1	(13-14)NO (21-22)NC (31-32)NC
Product Weight	1.47 Lb(US) (0.669 kg)
Compatibility code	XY2CJ

## Environment

Standards	EN/IEC 60204-1 EN/ISO 13850 UL 508 Machinery directive 2006/42/EC EN/IEC 60947-5-5 EN/IEC 60947-5-1 CSA C22.2 No 14 Work equipment directive 2009/104/EC
Protective treatment	TC
Ambient Air Temperature for Operation	-13...158 °F (-25...70 °C)
Ambient Air Temperature for Storage	-40...158 °F (-40...70 °C)

## Ordering and shipping details

Category	22441 - LIMIT SWITCHES,CABLE PULL
Discount Schedule	T
GTIN	3389119619424
Nbr. of units in pkg.	1
Package weight(Lbs)	28.11 Oz (797 g)
Returnability	No
Country of origin	ID

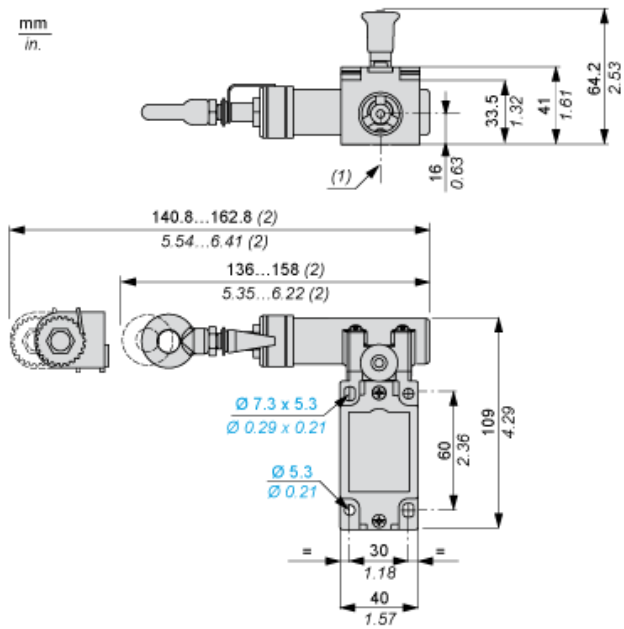
## Packing Units

Unit Type of Package 1	PCE
Package 1 Height	3.46 In (8.8 cm)
Package 1 width	6.26 In (15.9 cm)
Package 1 Length	7.99 In (20.3 cm)
Unit Type of Package 2	S03
Number of Units in Package 2	6
Package 2 Weight	12.11 Lb(US) (5.495 kg)
Package 2 Height	11.81 In (30 cm)
Package 2 width	11.81 In (30 cm)
Package 2 Length	15.75 In (40 cm)

## Offer Sustainability

Sustainable offer status	Green Premium product
California proposition 65	WARNING: This product can expose you to chemicals including: Diisononyl phthalate (DINP), which is known to the State of California to cause cancer, and Diisodecyl phthalate (DIDP), which is known to the State of California to cause birth defects or other reproductive harm. For more information go to <a href="http://www.P65Warnings.ca.gov">www.P65Warnings.ca.gov</a>
REACH Regulation	<a href="#">REACH Declaration</a>
EU RoHS Directive	Pro-active compliance (Product out of EU RoHS legal scope) <a href="#">EU RoHS Declaration</a>
Mercury free	Yes
RoHS exemption information	<a href="#">Yes</a>
Environmental Disclosure	<a href="#">Product Environmental Profile</a>

Dimensions

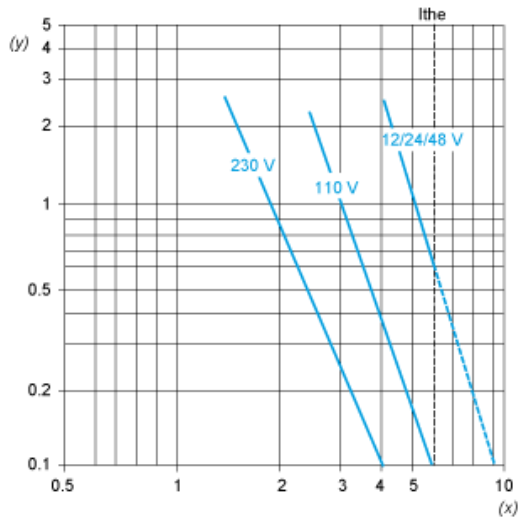


- (1) Tapped entries for 1/2" NPT
- (2) Maximum extension.

Electrical Curves

AC Supply 50/60 Hz Inductive Circuit

3-pole Contact Block



Y Millions of operating cycles  
X Current in A

DC Supply Power Broken in for 1 Million Operating Cycles Inductive Circuit

Voltage	V	24	48	120
$i_{mn}$	W	4	3	2

Product Life Status : **Commercialised**